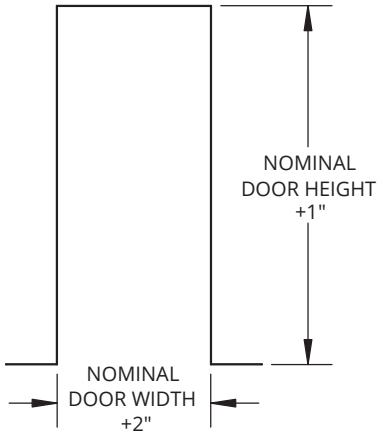
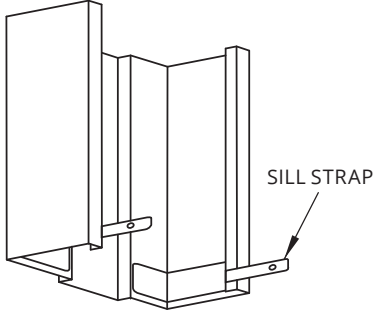
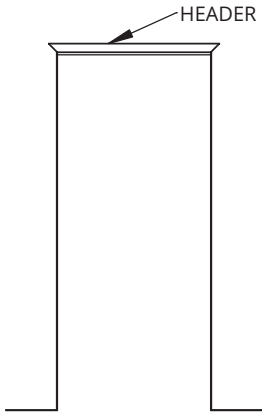
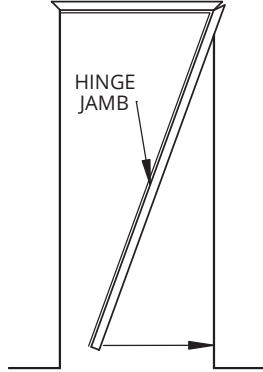
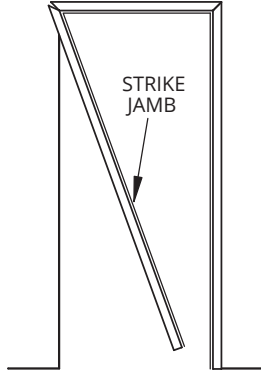
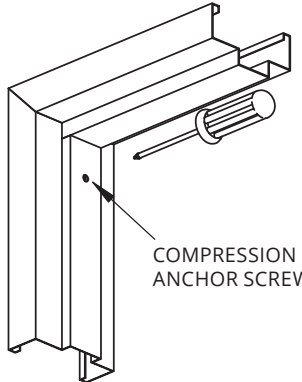
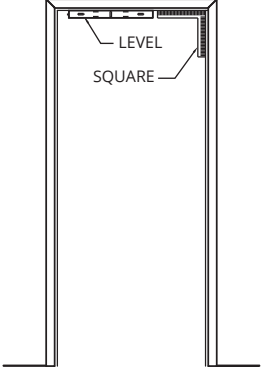
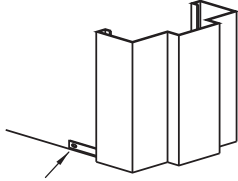
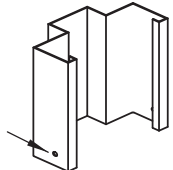
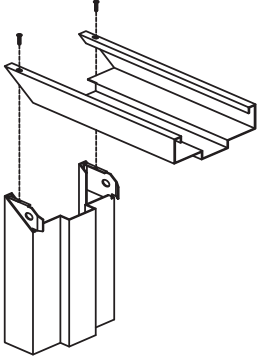




Knock Down Frame Installation Instructions

(slip-on frame - wraps already built stud wall)

<p>1 PREPARE ROUGH OPENING</p>  <p>ADD TO DOOR OPENING DIMENSIONS: 2" TO WIDTH AND 1" TO HEIGHT FOR A 3'0" X 7'0" DOOR FRAME, ROUGH OPENING SHOULD BE 38" X 85"</p>	<p>2</p>  <p>IF SILL STRAPS INCLUDED, BEND WELDED-IN SILL STRAPS (BASE ANCHORS) OUTWARD (LOCATED AT THE BOTTOM OF EACH JAMB LEG, ON EACH SIDE)</p>	<p>3</p>  <p>INSTALL HEADER INTO PLACE, BY SLIPPING OVER THE STUD AND DRYWALL - 1" FROM THE TOP AND THE CENTER OF ROUGH OPENING</p>
<p>4</p>  <p>INSTALL HINGE JAMB, BY SLIPPING OVER THE WALL AT TOP AND ENGAGE THE JAMB TAP INTO THE HEADER SLOT. PIVOT JAMB INTO PLACE.</p>	<p>5</p>  <p>REPEAT STEP #4 WITH STRIKE JAMB. PULL HEADER DOWN TIGHT ONTO JAMBS.</p>	<p>6</p>  <p>TURN COMPRESSION ANCHOR SCREWS HAND TIGHT (DO NOT USE A SCREW GUN) IN BOTH JAMBS, COUNTERCLOCKWISE, UNTIL ANCHOR COMPRESSES AGAINST THE STUD.</p>
<p>7</p>  <p>IF FEASIBLE, HANG DOOR NOW AND ADJUST FRAME ON WALL, TO ALLOW PROPER DOOR / FRAME CLEARANCES OR PLUMB FRAME WITH CARPENTER SQUARE AND/OR LEVEL. LEVEL THE HEADER BY PLACING SHIMS UNDER JAMBS, IF REQUIRED.</p>	<p>8</p>  <p>FASTEN DRYWALL SCREWS (NOT INCLUDED) THROUGH THE SILL STRAP BASE ANCHORS, TO THE WALL STUD. COVER SILL STRAPS WITH BASEBOARD. NOTE: YOU MAY NEED TO NOTCH THE DRYWALL</p> <p>OR</p>  <p>FASTEN SCREWS TO THE WALL STUD, THROUGH HOLES AT THE BOTTOM OF JAMB. DRILL AND COUNTERSINK HOLES ON EACH SIDE, OF EACH JAMB, IF NO HOLES.</p>	<p>9</p>  <p>OPTIONAL (MAY BE REQUIRED FOR FIRE-RATED OPENINGS)</p> <p>ALIGN HOLES WITH GUSSET PLATES AND SECURE WITH #6 PAN HEAD SELF DRILLING SCREWS (1/2" LONG)</p>